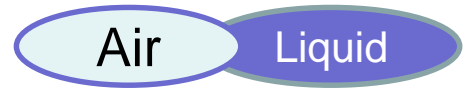




## “FRHA” series

High Pressure Atmospheric Open model.



### ■ Features

- High pressure range.(Max setting pressure:4.2Mpa [609.16psi])
- Small and light weight.
- Cracking pressure’s setting is done before delivering.



### ■ Applications

- Machine Tools : Milling machine, NC lathe, laser processing machine etc.
- Industrial furnace : General industrial furnace, heating furnace, vacuum furnace, etc.
- Medical : Endoscope washing device, oxygen concentrator, anesthesia machine etc.
- Analysis equipment:Measurement equipment, component gas analysis, gas analyzer etc.
- Battery : Household fuel cell, secondary battery, gas engine etc.
- Water (liquid) treatment: Pure water production, pure water recycling.
- Gas generator related: Compressor, compact pressure vessel, various gas generator etc.
- Others: Oxygen capsule, gasoline measuring instrument, forklift etc.

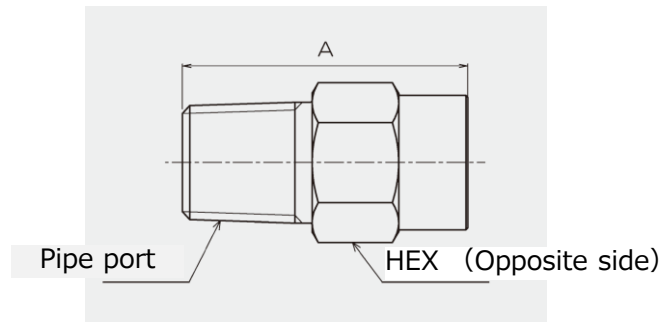
### ■ Specification

Pressure resistance MPa[psi]	6.8 [986.26]	Seal material	FKM (Standard)
Pipe port	1/8, 1/4(In R)	Operating temperature range °C[°F]	Pursuant to Seal material
Body material	Brass / SUS316	Cracking pressure kPa[psi]	1000 ~ 4200 [145.04 ~ 609.16]
Comment	■ When use stainless-model, please contact us.		



# FUJIKURA COMPOSITES

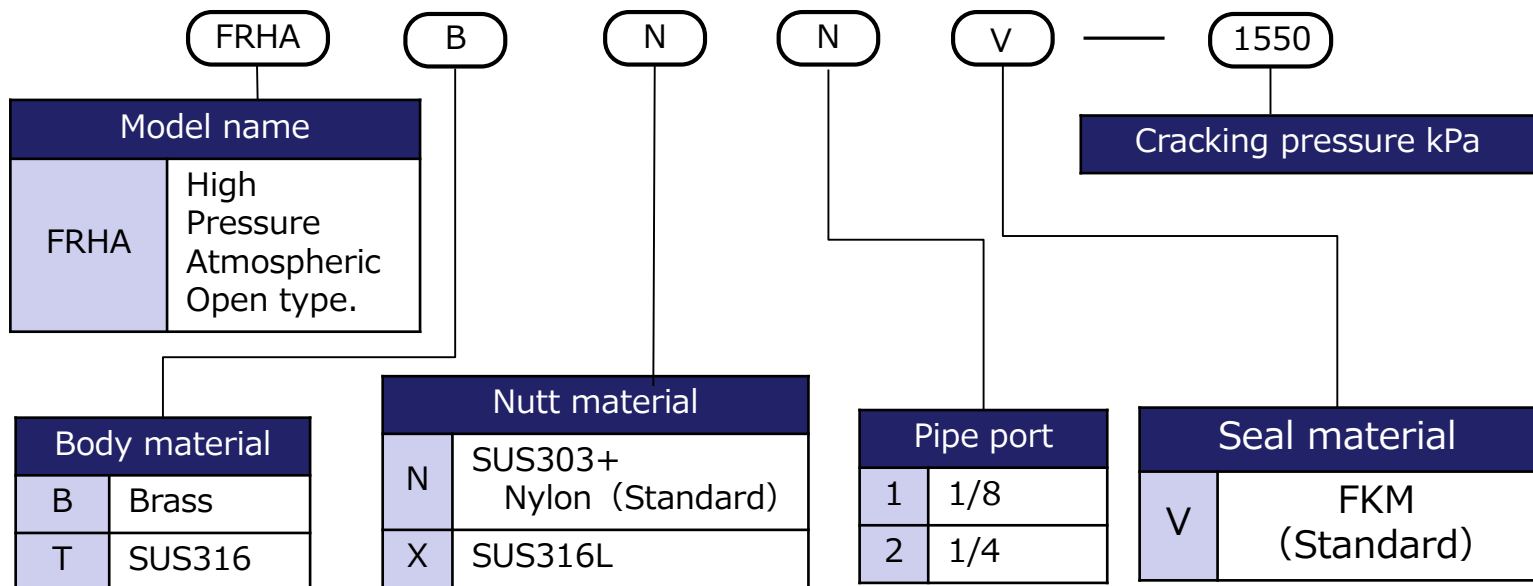
## ■ Size



<mm> [inch]

Pipe port (R)	A	HEX (Opposite side)
1/8	<28> [1.10]	<13.0> [0.51]
1/4	<33> [1.30]	<16.0> [0.63]

## ■ Model designation



Caution  
Please order setting pressure at kPa.

Example) In case of 0.05MPa(50kPa) < 50 >  
In case of 1MPa(1000kPa) < 1000 >

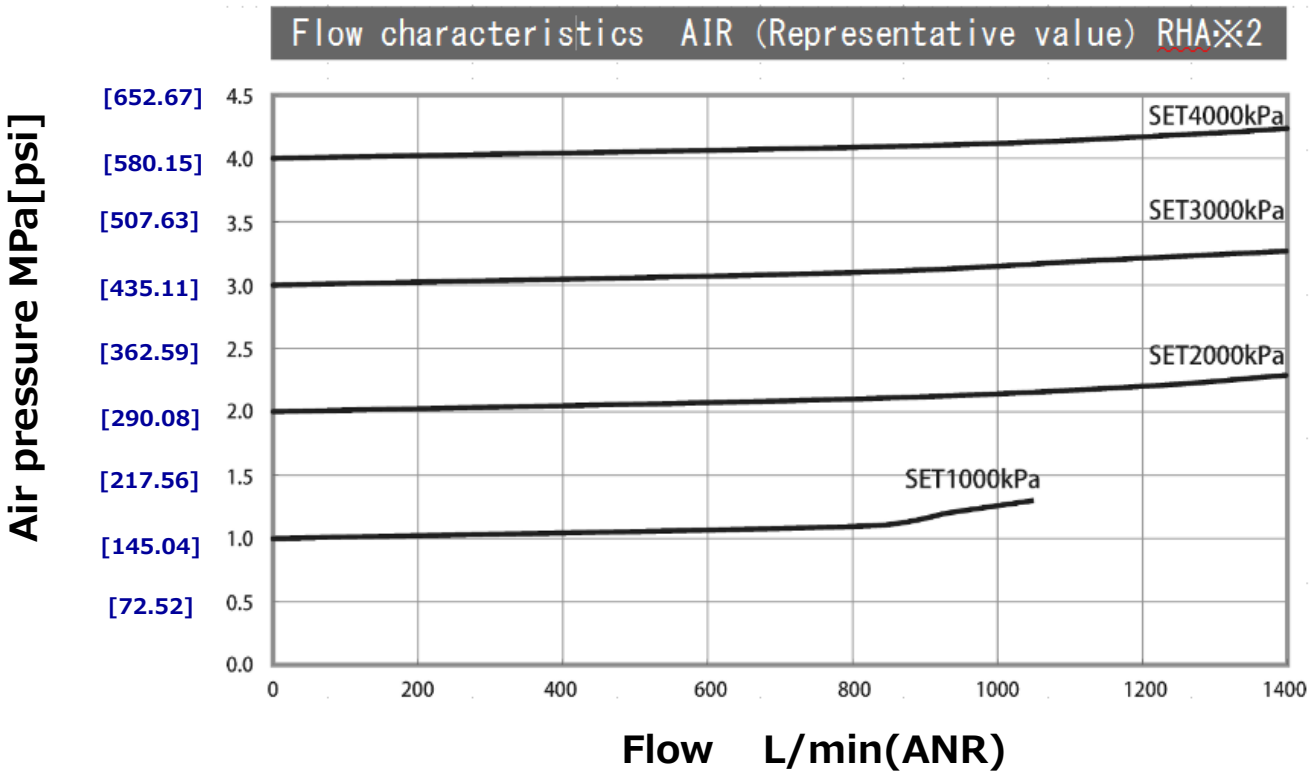
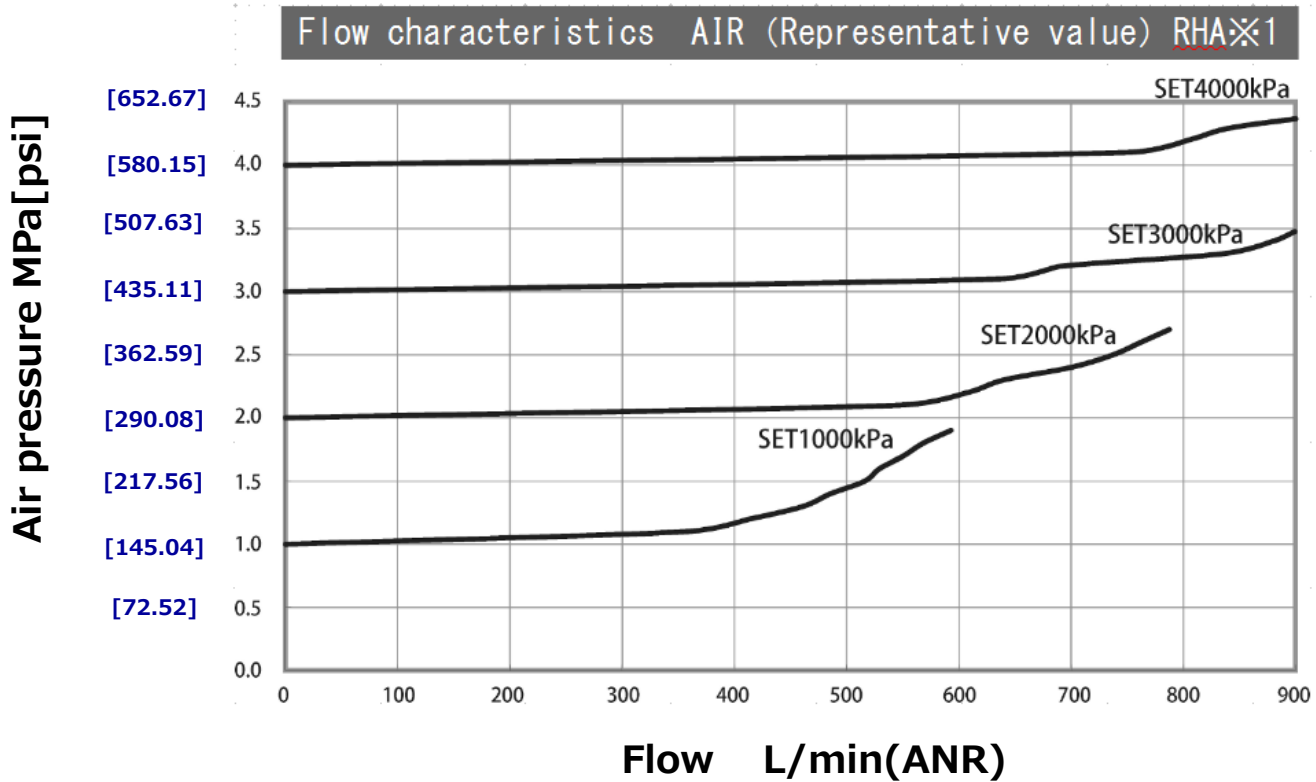
※Please inquire about other materials.

※When operating temperature ranges are more than 100°C[212°F] or less or -20°C[-4°F], please contact us.



# FUJIKURA COMPOSITES

## ■ Characteristic



FUJIKURA COMPOSITES

### Contact us

Control Equipment

Head office: TOC Ariake East Tower 10F, 3-5-7 Ariake,  
Koto-ku, Tokyo, Japan 135-0063

TEL +81-3-3527-8573

E-mail: seigyotoiawase.en@fc.fujikura.co.jp

URL: <http://www.fujikura-control.com/>